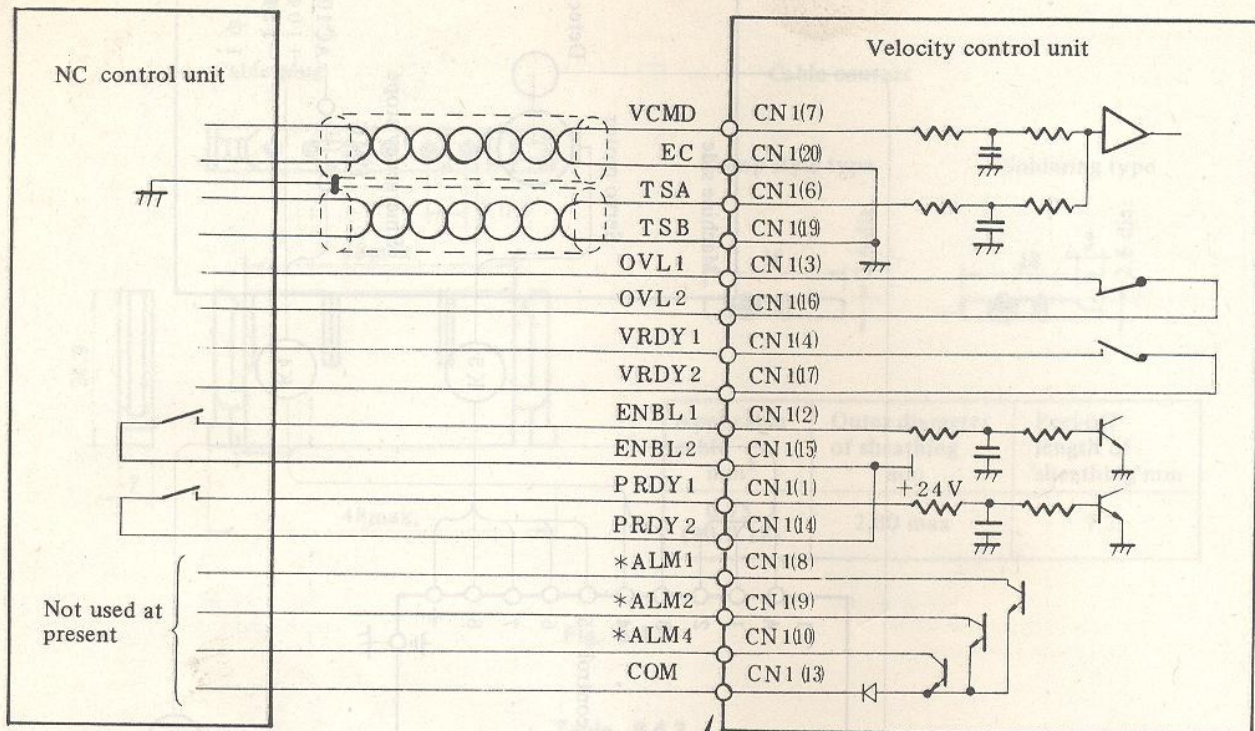


9.1.1 Details of connections of cable K1



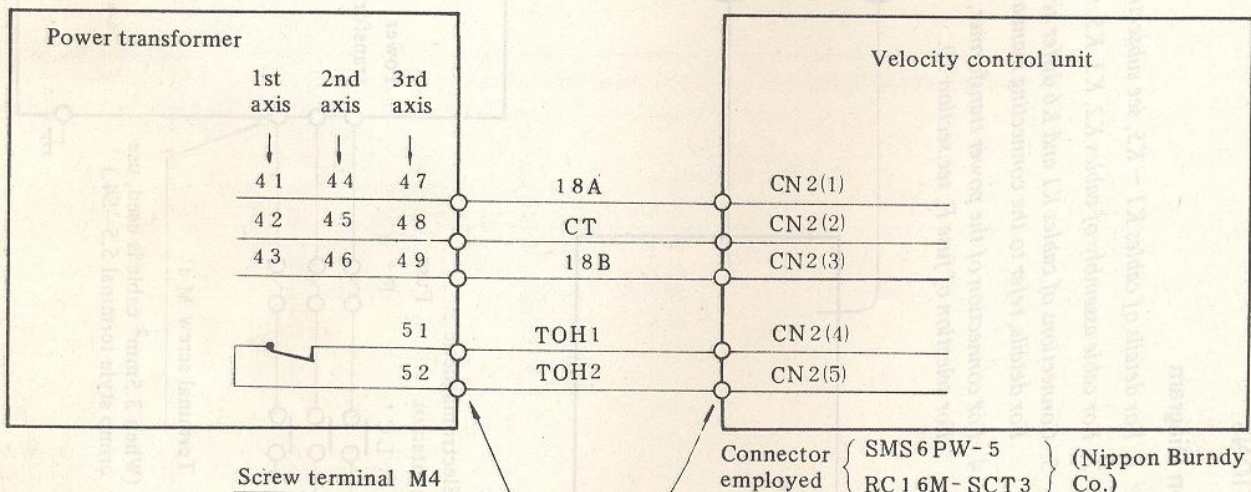
Cable employed:
 For VCMD/EC, TSA/TSB,
 0.1 ~ 0.18mm² pair
 shielded cable.
 For others; 0.18 ~ 0.3mm²
 200V vinyl wire

Connector employed MR20LFH
 (Honda Tsushin Kogyo, Co. Ltd.)

(For mounting layout of connector
 terminals, see 8.4.1.)

Fig. 9.1.1

9.1.2 Details of connections of cable K2



Cable employed: 0.75mm² (30/0.18) 200V heat-resistive vinyl cable.

Connector employed { SMS6PW-5 } (Nippon Burndy
 { RC16M-SCT3 } Co.)

(For mounting layout of connector
 terminals, see 8.4.2.)

Fig. 9.1.2